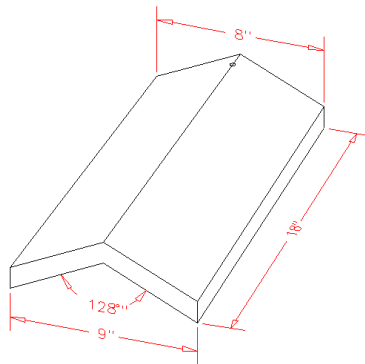
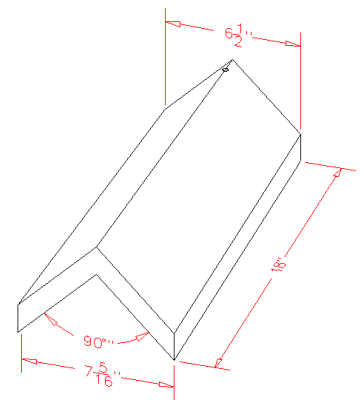


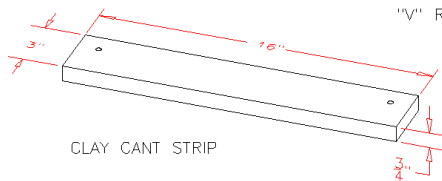
"V" RIDGE TILE 153°



"V" RIDGE TILE 128°



"V" RIDGE TILE 90°



CLAY CANT STRIP

LINCOLN INTERLOCKING AND PLACER INTERLOCKING TILE

(FILE NAME: 10-3.DWG)